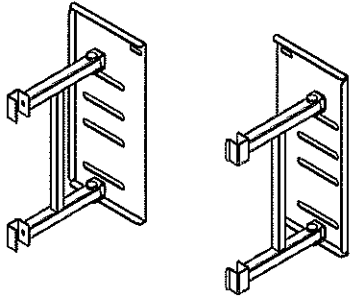
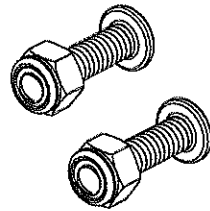


PARTS

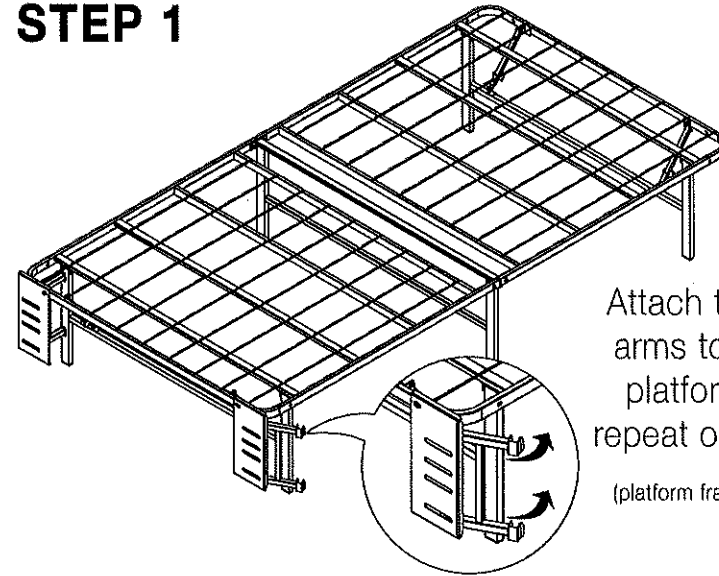


Brackets (2)



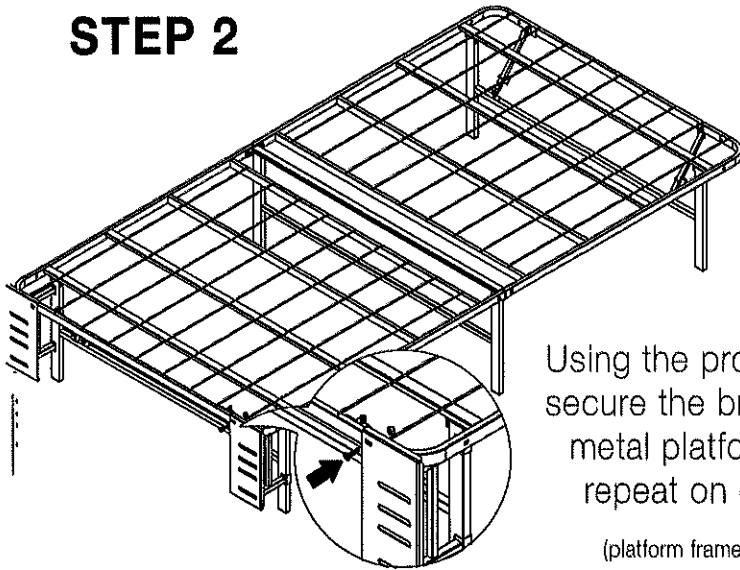
Bolt & Nut (2)

STEP 1



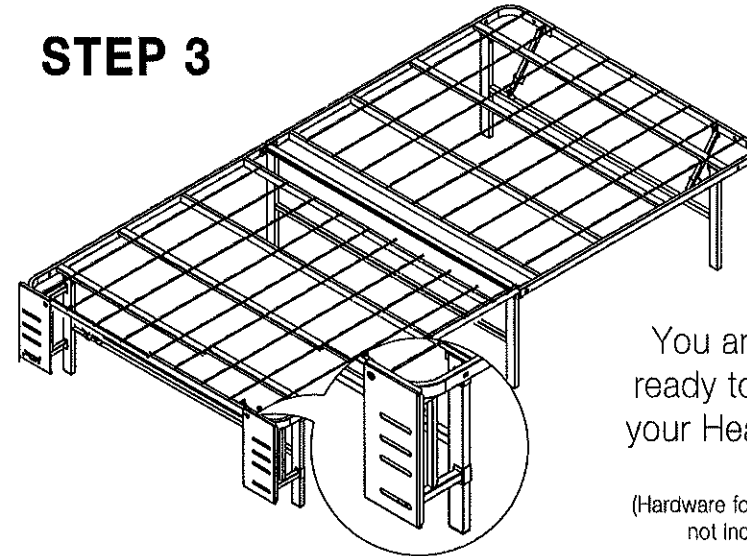
Attach the bracket arms to the metal platform frame - repeat on other side
(platform frame not included)

STEP 2



Using the provided bolts, secure the bracket to the metal platform frame - repeat on other side
(platform frame not included)

STEP 3



You are now ready to attach your Headboard
(Hardware for headboard not included)